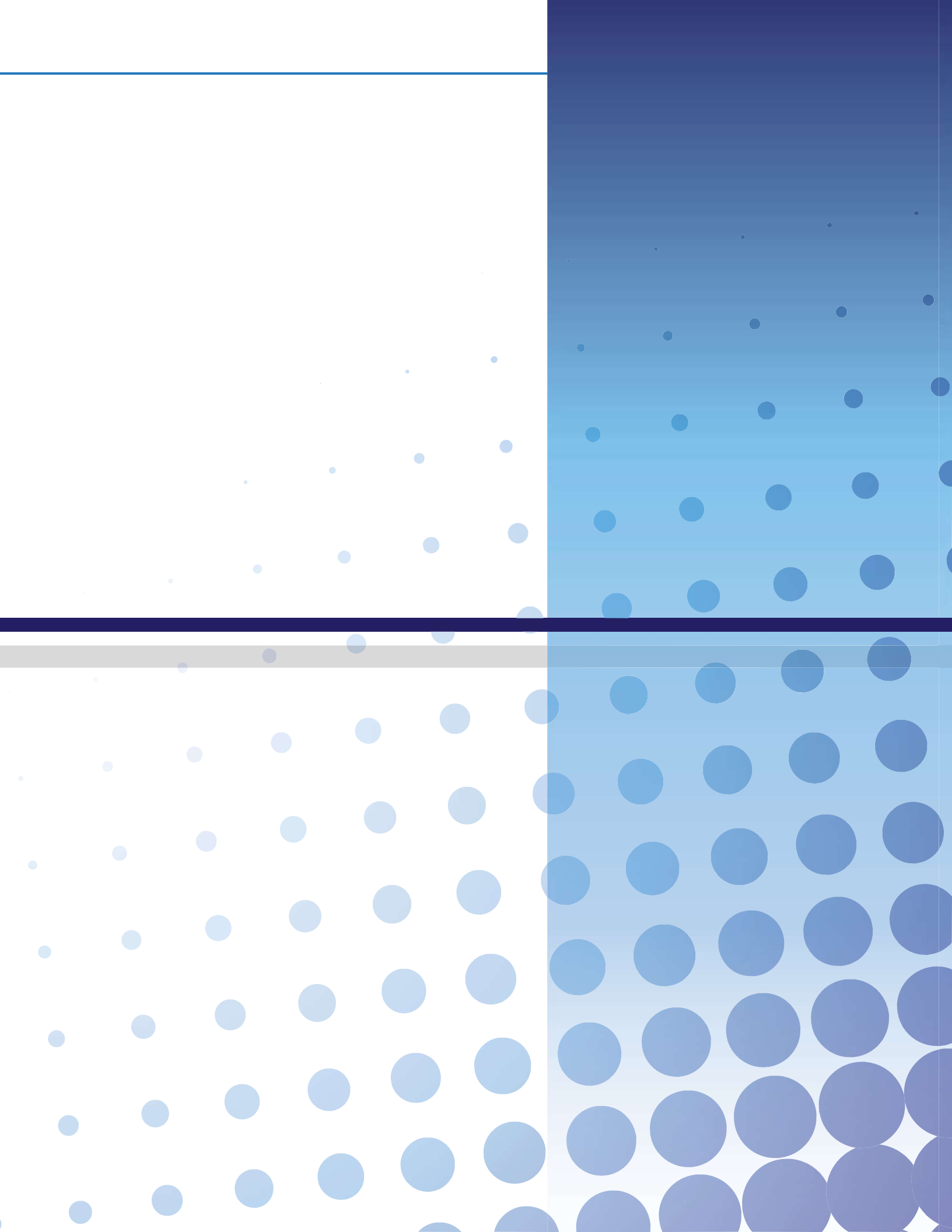


RJ Series



RJ45 Series
RJ45 W/ LED Series





Panel Side

1. C3 RJ45 Panel side Plastic
RJ45 Plastic Panel Screw Part No. GT1253 Series. 32
2. C3 RJ45 Panel side Metal
RJ45 Metal Panel Lock Part No. GT2252 Series. 32
RJ45 Metal Panel Screw Part No. GT2255 Series. 33

Cable End Side

1. C3 RJ45 Cable End Plastic
RJ45 Plastic Cable End Screw Part No. GT1253 Series. 33
2. C3 RJ45 Cable End Metal
RJ45 Metal Cable End Lock Part No. GT2252 Series 34
(PS: GT225360-00, GT225320-02-XX, GT225370-00 For Lock Panel)
RJ45 Metal Cable End Screw Part No. GT2255 Series. 34
3. C3 RJ45 Cable End Plastic Field Installable
RJ45 Plastic Field Installable Cable End Screw Part No. GT1253 Series. 34
4. C3 RJ45 Cable End Metal Field Installable
RJ45 Metal Field Installable Cable End Lock Part No. GT22523 Series. 35
(PS: GT225360-00, GT225320-02-XX,GT225370-00 For Lock Panel)
RJ45 Metal Field Installable Cable End Screw Part No. GT2253//GT2255 Series. 35
5. C3 RJ45 Cable-To-Cable Plastic
RJ45 Plastic Cable-To-Cable Screw Part No. GT12531 Series. 35
6. RJ45 LED Plastic With 2A 6P Plastic
C3 RJ45 LED Lamp Plastic With 2A 6P Cable-To-Cable SCREW Part No.: GT12A310 Series. 36

Cap

1. C3 Cap Plastic
C3 Cap Plastic Lock Part No. GT1C213 Series. 37
C3 Cap Plastic Screw Part No. GT1C533 Series. 37
2. C3 Cap Metal
C3 RJ45 Cap Metal Screw Part No. GT2C213 Series. 37

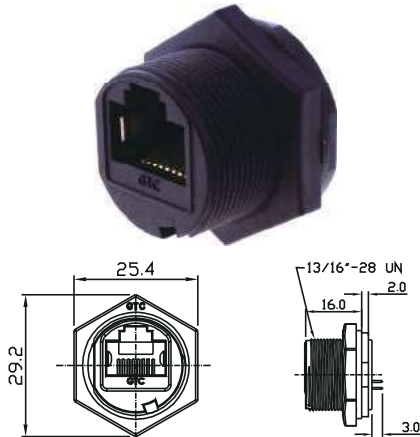


Material	
Panel Housing (Plastic // Metal)	PA66 // Zn Alloy, Ni Plating
RJ45 Receptacle Housing	Thermoplastic
RJ45 Receptacle Contacts	Coper Alloy, Au Plating
RJ45 Receptacle Shell	Coper Alloy, Ni Plating
EMI Plate	Coper Alloy, Ni Plating
Panel Gasket	Silicone
Panel Hex Nut (Plastic // Metal)	PA66 // Zn Alloy, Ni Plating
Glue	Epoxy
Cable End Housing	Thermoplastic
Cable End Lock // Screw Nut (Plastic // Metal)	PA66 // Zn Alloy, Ni Plating
RJ45 Plug Housing	Thermoplastic
RJ45 Plug contacts	Copper Alloy , Au Plating
RJ45 Plug Shell	Copper Alloy or Cold Roller Steel , Ni Plating
Cable End Rubber Pad	Silicone
Inner Mold	Thermoplastic
Over Mold	PVC

Technical Data	
Insulation Resistance	DC500V±10%, test for 1 minute and the insulation resistance should be more than 100MΩ
Dielectric Withstanding Voltage	500V DC/AC peak, contact-to-contact, for 1 minute. 500 V DC/AC peak, contact-to-test panel or contact-to-shield for 1 minute.
Contact Resistance	20mΩ at 10mA Max.
Durability	Screw type 750 cycles, rate of 200 cycles per hour. Lock type 200 cycles, rate of 200 cycles per hour.
Thermal Shock	5 cycles at -40°C / +105°C, after the test, the function and appearance can't be impacted.
Waterproof Test	Submersion in water 1 meter for 30minutes.
Temperature Range	-40°C / +85°C
AWG Gauge	24 AWG ~ 26 AWG
Current Rating	1.5A

RJ45 Plastic (Ethernet Connector Series)

C3 RJ45 Plastic Panel Screw Type

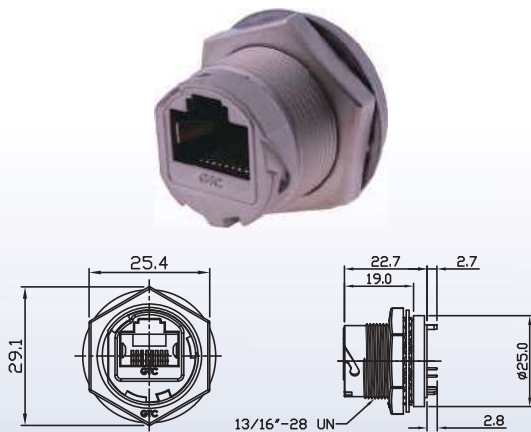


At Rear of Panel	Cable Length	Ordering No.
RJ45 Shielded Panel Jack DIP		GT125300-10
RJ45 Shielded Panel Jack 90° DIP		GT125300-20
RJ45 Shielded Panel Jack Coupler		GT125300-30
RJ45 Shielded Panel Jack Coupler 90°		GT125300-40
RJ45 Shielded Panel with Cable+RJp lug	*	GT125300-03-XX

At Rear of Panel	Cable Length	Ordering No.
RJ45 Shielded with Pig Tail Plug Cable	*	
RJ45 Shielded with Outside PCB Pig Tail Plug Cable	*	GT125300-05-XX
RJ45 Cat 5E Blunt Cut	*	GT125300-09-XX

RJ45 Metal (Ethernet Connector Series)

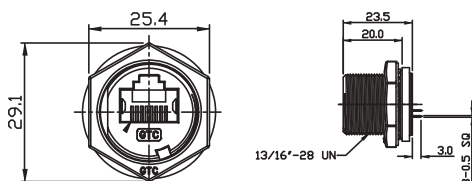
C3 RJ45 Metal Panel Lock Type



At Rear of Panel	Cable Length	Ordering No.
RJ45 Shielded Panel Jack DIP		GT225200-10
RJ45 Shielded Panel Jack 90° DIP		GT225500-20
RJ45 Shielded Panel Jack Coupler		GT225200-30
RJ45 Shielded Panel Jack Coupler 90°		GT225200-40
RJ45 Shielded Panel with Cable+RJ plug	*	GT225200-03-XX

At Rear of Panel	Cable Length	Ordering No.
RJ45 Shielded with Pig Tail Plug Cable	*	GT225200-04-XX
RJ45 Shielded with Outside PCB Pig Tail Plug Cable	*	GT225200-05-XX
RJ45 Cat 5E Blunt Cut	*	GT225200-09-XX

C3 RJ45 Metal Panel Screw Type

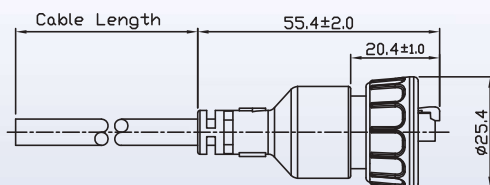


At Rear of Panel	Cable Length	Ordering No.
RJ45 Shielded Panel Jack DIP		GT225500-10
RJ45 Shielded Panel Jack 90° DIP		GT225500-20
RJ45 Shielded Panel Jack Coupler		GT225500-30
RJ45 Shielded Panel Jack Coupler 90°		GT225500-40
RJ45 Shielded Panel with Cable+RJ plug	*	GT225500-03-XX

At Rear of Panel	Cable Length	Ordering No.
RJ45 Shielded with Pig Tail Plug Cable	*	GT225200-04-XX
RJ45 Shielded with Outside PCB Pig Tail Plug Cable	*	GT225500-05-XX
RJ45 Cat 5E Blunt Cut	*	GT225500-09-XX

RJ45 Plastic (Ethernet Connector Series)

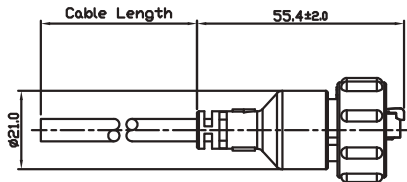
C3 RJ45 Plastic Plug Screw Type



At Rear of Cable	Cable Length	Ordering No.
RJ45 Cat 5E Blunt Cut		GT125320-02-XX
RJ45 Shilded Plug Cable	*	GT125320-06-XX
RJ45 Shielded Twin-Head Waterproof Plug with Cable	*	GT125320-07-XX

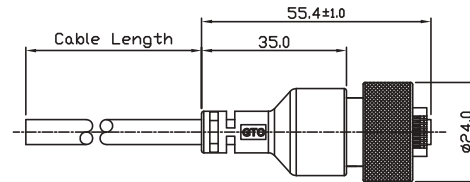
RJ45 Metal (Ethernet Connector Series)

C3 RJ45 Metal Plug Lock Type



At Rear of Cable	Cable Length	Ordering No.
RJ45 Shielded Blunt Cut		GT225220-02-XX
RJ45 Shielded Plug with Cable+RJ plug	*	GT225220-06-XX
RJ45 Shielded Twin-Head Waterproof Plug Cable	*	GT225220-07-XX

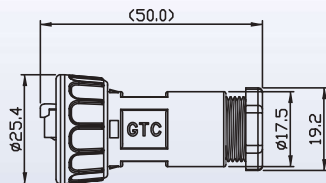
C3 RJ45 Metal Plug Screw Type



At Rear of Cable	Cable Length	Ordering No.
RJ45 Shielded Blunt Cut	*	GT225520-02-XX
RJ45 Shielded Plug with Cable+RJ plug	*	GT225520-06-XX
RJ45 Shielded Twin-Head Waterproof Plug Cable	*	GT225520-07-XX
RJ45 Shielded Plug with Grey Cable For Lock Panel	*	GT225320-01-XX
RJ45 Shielded Plug with Cable For Lock Panel	*	GT225320-02-XX
RJ45 Shielded Plug with Cable+RJ45 For Lock Panel	*	GT225320-06-XX
RJ45 Shielded Twin-Head Waterproof Plug Cable For Lock Panel	*	GT225320-07-XX

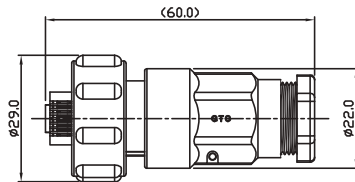
RJ45 Plastic (Ethernet Connector Series)

C3 RJ45 Plastic Field Installable Plug Screw Type



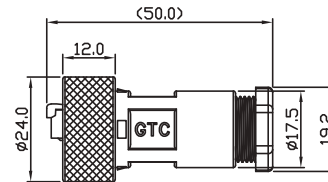
At Rear of Cable	Cable Length	Ordering No.
RJ45 Plug Field Installable W/O Plug		GT125350-00
RJ45 Plug Easy Field Installable		GT125360-00
RJ45 Plug Easy Field Installable W/O Plug		GT125380-00
RJ45 Plug Easy Field Installable W/O Logo		GT125390-00

C3 RJ45 Metal Plug Lock Type



At Rear of Cable	Cable Length	Ordering No.
RJ45 Metal Shilded E1 Field Installable Cable End Lock		GT225230-00

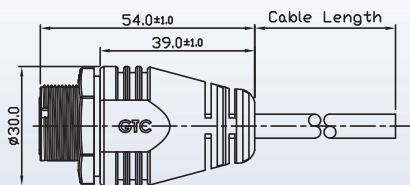
C3 RJ45 Metal Panel Screw Type



At Rear of Cable	Cable Length	Ordering No.
RJ45 Metal Shilded E1 Field Installable Cable End Screw		GT225560-00
RJ45 Metal Shilded Field Installable Cable End Screw Metal Body		GT225570-00
RJ45 Metal Shilded E1 Field Installable Cable End Screw for Lock Panel		GT225360-00
RJ45 Metal Shilded Field Installable Cable End Screw Metal Body For Lock Panel		GT225370-00

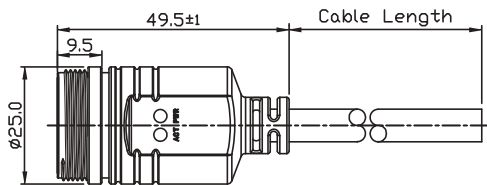
RJ45 Plastic (Ethernet Connector Series)

C3 RJ45 Plastic Cable-To-Cable Screw Type



At Rear of Cable	Cable	Ordering No.
RJ45 Shilded Blunt Cut		GT125310-02-XX
RJ45 Shilded cable to cable with Cable+RJ45plug	*	GT1253120-06-XX
RJ45 Shilded Twin-Head Waterproof Plug Cable	*	GT125210-07-XX

C3 RJ45 LED Lamp With 2A 6P Plastic Cable-To-Cable Screw Type



At Rear of Panel	Cable Length	Ordering No.
RJ45 LED Cable-To-Cable Jack Screw	*	GT12A310-5D-XX
RJ45 LED With 2A 2P Plastic Cable-to-Cable Jack Screw	*	GT12A310-6D-XX
RJ45 LED With 2A 4P Plastic Cable-to-Cable Jack Screw	*	GT12A310-7D-XX
RJ45 LED With 2A 6P Plastic Cable-to-Cable Jack Screw	*	GT12A310-8D-XX

C3 RJ45 Plastic Cap Screw Type

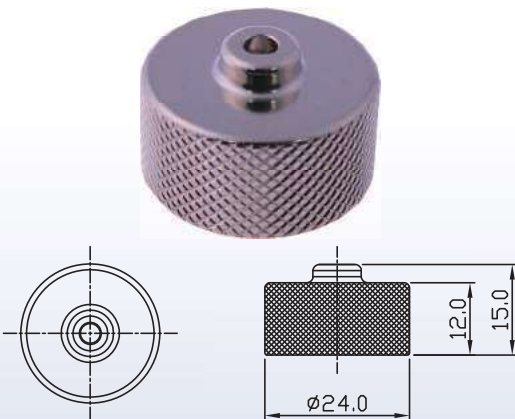


At Rear of Panel	Ordering No.
C3 RJ45 Screw Cap Without Lanyard	GT1C533102
C3 RJ45 Screw Cap Metal Lanyard	GT1C533112
C3 RJ45 Screw Cap Plastic Lanyard	GT1C533132
C3 RJ45 Screw Cap Plastic Lanyard Right D-Cut	GT1C533152
C3 RJ45 Screw Cap Metal Lanyard (M3 Screw)	GT1C533162

Cap No.	Mating Series No.
GT1C5331XX	GT11630X-XXXX
	GT11631X-XXXX
	GT12530X-XXXX
	GT12531X-XXXX
	GT5330X-XXXX
	GT15331X-XXXX
	GT216300-XXXX
	GT218300-XXXX
	GT22550X-XXXX
	GT22551X-XXXX

RJ45 Metal (Ethernet Connector Series)

C3 RJ45 Metal Cap Screw Type



At Rear of Panel	Ordering No.
C3 RJ45 Screw Cap W/O Chain	GT2C213002
C3 RJ45 Screw Cap Metal Chain	GT2C213012
C3 RJ45 Screw Cap Metal Chain M4 Screw	GT2C213062
C3 RJ46 Screw Cap For Cable End Metal Chain	GT2C213212
C3 RJ46 Screw Cap For Cable End Plastic Chain	GT2C213232

Cap No.	Mating Series No.
GT2C2130XX	GT216300-XXXX
	GT218300-XXXX
	GT12530X-XXXX
	GT12531X-XXXX
	GT5330X-XXXX
	GT15331X-XXXX
	GT22550X-XXXX
	GT22551X-XXXX